

EQUATORE

Gabriele e Oscar Buratti, 2017

Equatore is a contemporary reinterpretation of the classic lamp with a glass shade. While the traditional abat-jour uses the shade to contain the light source within, in this family of lamps the shade is paradoxically and suggestively empty, with the light being generated by two luminous discs placed inside a central metal band, visible on the shade, that evokes the line of the equator. The light produced by the LEDs, thanks to internal screens arranged in layers, is distributed regularly across the surface of the discs, magically illuminating them. The lower disc directs the light output downward, the upper one illuminates the glass cap for a soft, diffused light. Available in four colors.

Equatore now takes on new oversize dimensions in the hanging version, with a diameter of 48 cm, joining the previous models of 24 and 36. The space it serves goes from domestic to public, from the living room to the grand lounge. New solutions, but with the same open and inclusive light.



RELATED PRODUCTS



EQUATORE

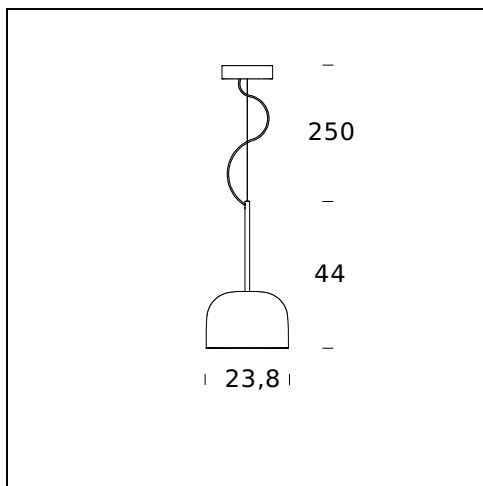
Table Lamp



EQUATORE

Floor Lamp

TECHNICAL SHEET



MODEL NAME: Equatore

CODE: 4390/0..

DIMENSIONS: Ø 23,8 x 44 + 250

MATERIALS: Glass, metal

COLORS

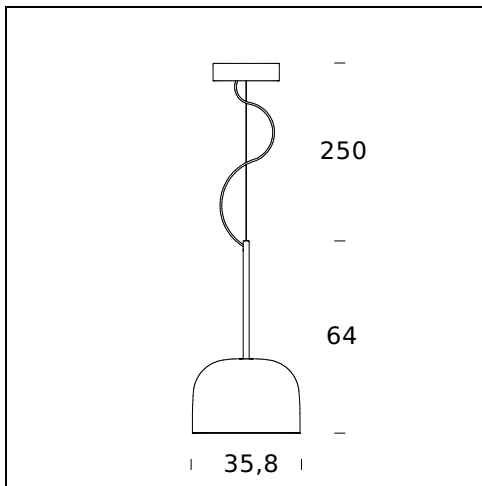
- Black Chrome
- Chrome
- Copper/Pink
- Gold

BULB: 25W Led (2700K, CRI>90, Lumen 1770)

DIMMER: Dimmable with light dimmer, not supplied

CERTIFICATIONS AND SYMBOLS:

CE IP20



MODEL NAME: Equatore

CODE: 4390..

DIMENSIONS: Ø 35,8 x 64 + 250

MATERIALS: Glass, metal

COLORS

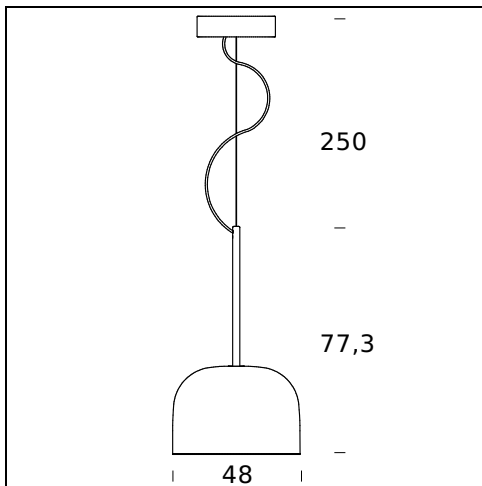
- Black Chrome
- Chrome
- Copper/Pink
- Gold

BULB: 40W Led (2700K, CRI>90, Lumen 2790)

DIMMER: Dimmable with light dimmer, not supplied

CERTIFICATIONS AND SYMBOLS:





MODEL NAME: Equatore oversize

CODE: 4390/1..

DIMENSIONS: Ø 48 x 77,3 + 250 cm

MATERIALS: Glass, metal

COLORS

- Black Chrome
- Chrome
- Copper/Pink
- Gold

BULB: 60W Led (2700K, CRI>90, Lumen 6600)

DIMMER: Dimmable with light dimmer, not supplied

CERTIFICATIONS AND SYMBOLS:



Subject to technical modifications and modifications to content